

3

SUBMITTED BY CYIENT ON BEHALF OF FRONTIER COMMUNICATIONS
FRONTIER CONTACT: DARRIN ALBRECHT, DARRIN.L.ALBRECHT@FTR.COM, 281.229.0849

APPLICATION TO INSTALL PRIVATE LINE

DATE: 09/07/22

TO THE COMMISSIONERS COURT OF BROWN COUNTY,

Application is hereby made by FRONTIER COMMUNICATIONS to install a buried X or aerial X water fiber optic cable X telephone electric gas line within the right-of-way and/or across a county road in Brown County, Texas, as follows:

Precinct # Location: CA 464 Starting point: 7815 FM 2632 This will involve a bore X or cut .

The location and description of the proposed line and associated appurtenances is more fully shown by the plat of such line attached to this application. The line will be constructed and maintained on the County right-of-way in accordance with governing laws. And installed at a depth of 24" to 30" below the lowest level of the bar ditch.

The applicant agrees to remove or relocate such fixtures at his own expense so as to permit the widening or changing of traffic lanes or reconstruction of the roadbed. Such removal or relocation shall be within 30 days of written notice specifying the fixtures to be moved and indicate the place on the roadway to which they shall be replaced.

Notwithstanding any other provision contained herein, it is expressly understood that tender of this notice by the undersigned does not constitute a waiver, surrender, abandonment or impairment of any property rights, franchise, easement, license, authority, permission, privilege or right now granted by law or may be granted in the future and any provision of provisions so construed shall be null and void.

The Commissioner of the above precinct will be notified of the time and date of installation at least 24 hours in advance.

This permit will become null and void if work is not completed within 90 days from date of acceptance by the Brown County Commissioners Court.

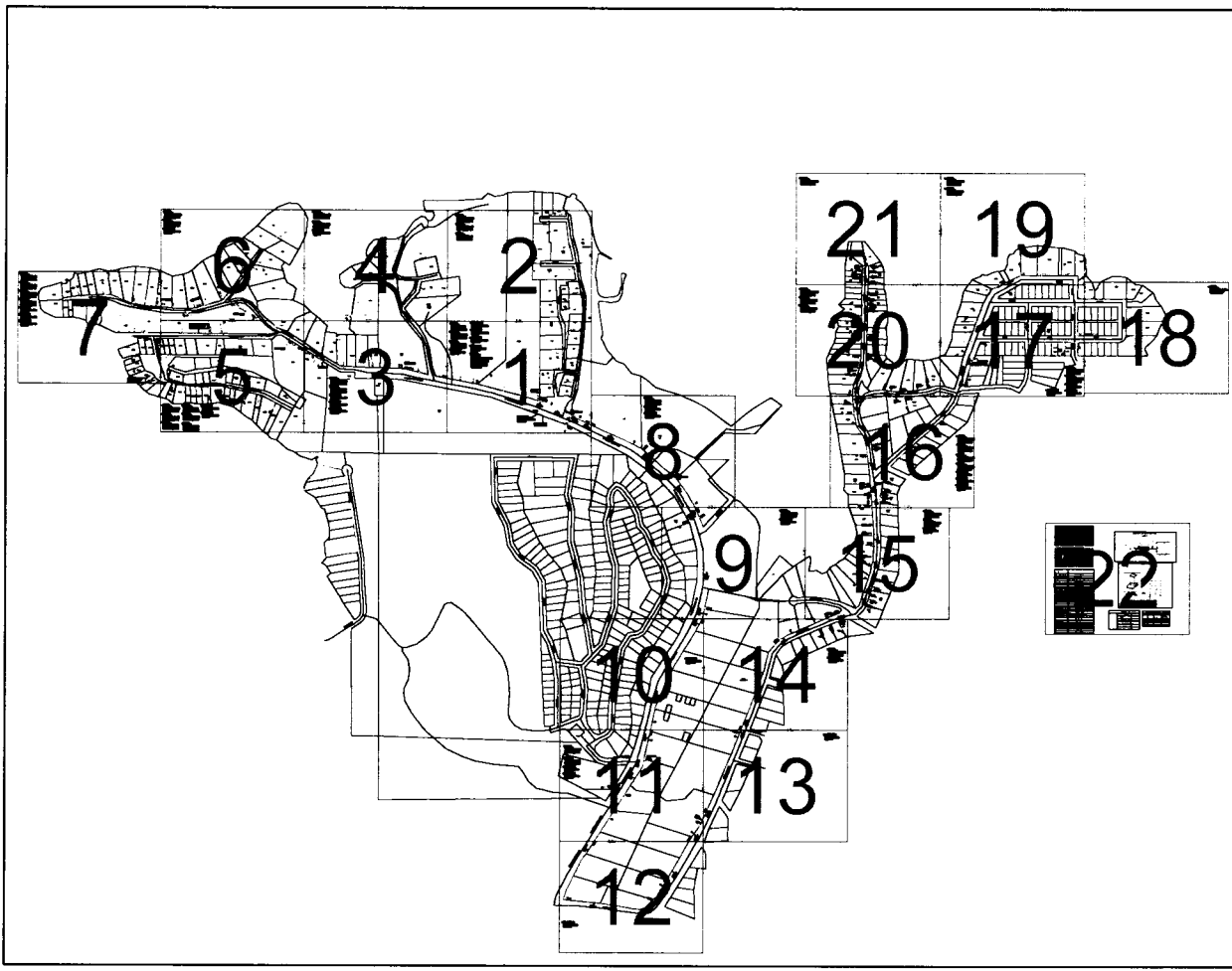
I certify that the above-proposed installation will not impair or harm the ingress and egress of adjacent landowners.

Construction of this line will begin on or after the 07 day of October, 2022


county roads/addresses:
Flatrock Rd Spt.
Berryman Lane
county road 464- aerial work
KELLI LANE Pvt.
HAWK LN

By CHRISTIAN REESE (ON BEHALF OF FRONTIER COMMUNICATIONS)
Address CHRISTIAN.REESE@CYIENT.COM
Phone 662.400.9330

October 17, 2022
(Exhibit #17)

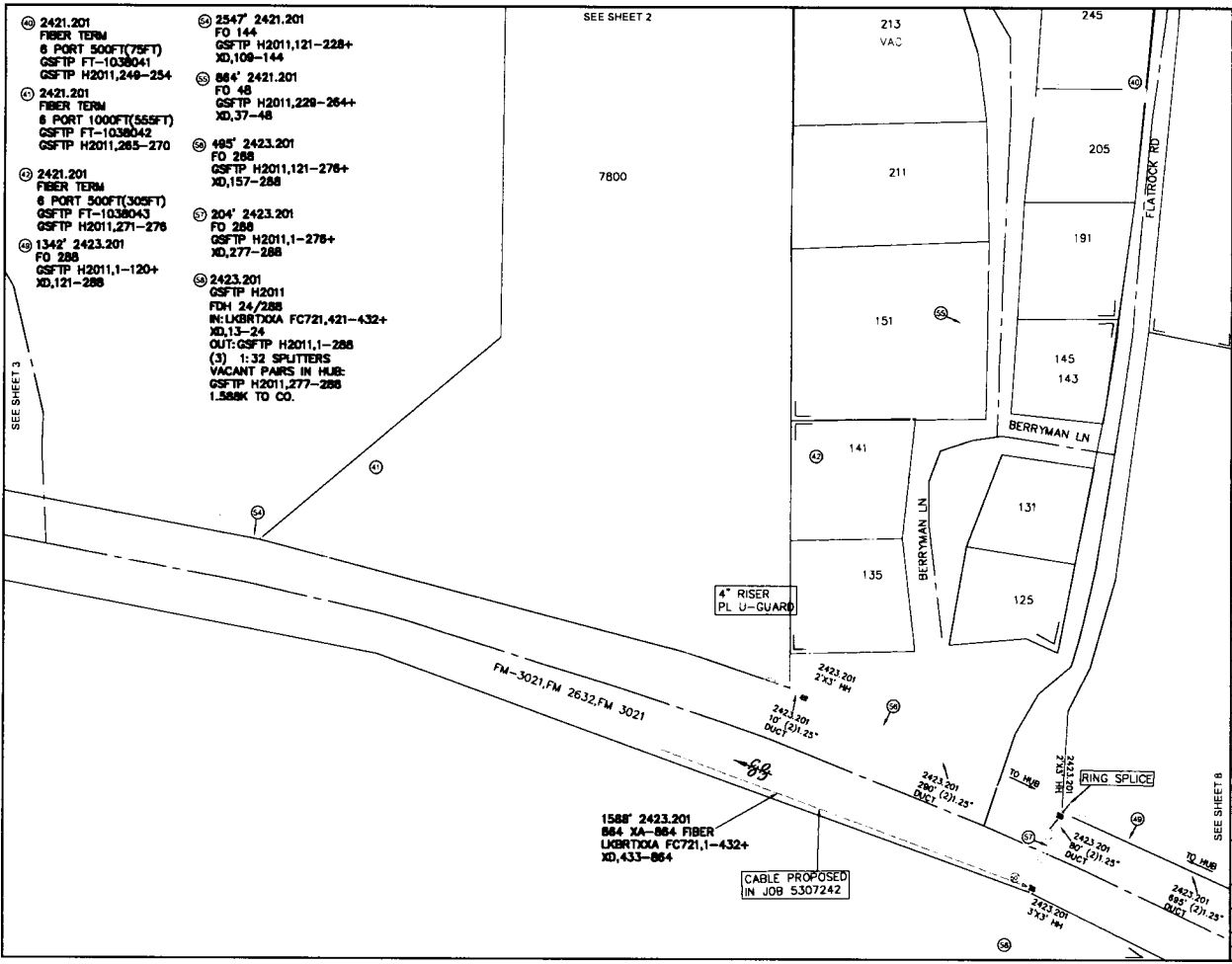


REVISIONS		



Frontier
 COMMUNICATIONS
 LAKE BROWNWOOD
 FDH_HUB_H2011

PROJECT NUMBER: 5307243	C.O. AREA: LAKE BROWNWOOD
DRAWN DATE: 06/24/2022	EXCH. CODE: 70440
ENGR: CYRIL	CITY: BROWN
PHONE: N/A	FILE:
TAX DISTRICT: T0363	DWG: OF
TWNESHIP: RING	SEC:



- ④ 2421.201
FIBER TERM
8 PORT 500FT(75FT)
GSFTP FT-1038041
GSFTP H2011,249-254
- ⑤ 2421.201
FIBER TERM
8 PORT 1000FT(555FT)
GSFTP FT-1038042
GSFTP H2011,265-270
- ⑥ 2421.201
FIBER TERM
8 PORT 500FT(305FT)
GSFTP FT-1038043
GSFTP H2011,271-276
- ⑦ 1342' 2423.201
FO 288
GSFTP H2011,1-120+
XD,121-288
- ⑧ 2547' 2421.201
FO 144
GSFTP H2011,121-228+
XD,109-144
- ⑨ 884' 2421.201
FO 48
GSFTP H2011,229-264+
XD,37-48
- ⑩ 495' 2423.201
FO 288
GSFTP H2011,121-276+
XD,157-288
- ⑪ 204' 2423.201
FO 288
GSFTP H2011,1-276+
XD,277-288
- ⑫ 2423.201
GSFTP H2011
FDH 24/288
IN: LKBRDXIA FC721,421-432+
XD,13-24
OUT: GSFTP H2011,1-288
(3) 1:32 SPLITTERS
VACANT PARS IN HUB:
GSFTP H2011,277-288
1.588K TO CO.

UNITS / ACCT CODES	
FP004	1
FP030	3
FP075	3
FP033A	1695
FP034A	930
FP033B	170
FP034B	645
FP43F	2041
FP23D	2817
FP23D	594
FP58B	2
FP58D	7
FP58B	1075
FS26	205
FS27	83
FSS1	18
FS14A	1
FSS3	276
FS14A	1
FSS2	120
FS14A	1
FSS2	156
FS14A	1
FSS1	26
FS14A	1

REVISIONS	

Frontier
COMMUNICATIONS

LAKE BROWNWOOD
FDH_HUB_H2011

PROJECT NUMBER	5307243	C.O. AREA	LAKE BROWNWOOD
EXCH. CODE	70440	ENGR	CYIENT
DRAWN DATE	06/24/2022	PHONE	N/A
SCALE	1=100	TAX DISTRICT	T0363
TWN/SH/PRG		OWNG	
FILE		DWG	1 OF 22
SEC			



UNITS / ACCT CODES	
FP015	2
FP033A	2575
FP034A	1805
FP22D	872
FP58B	1
FP58A	10
FSS1	30
FS14A	1
FS50	12
FS14A	1

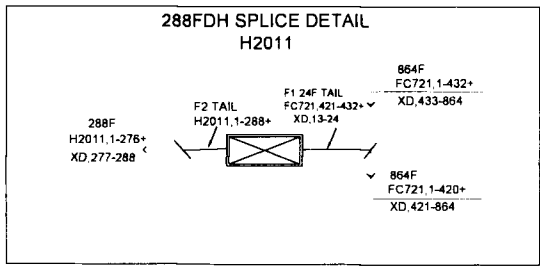
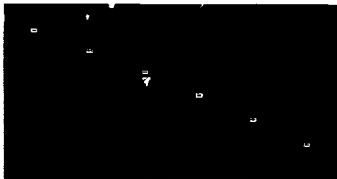
REVISIONS	

Frontier
COMMUNICATIONS

LAKE BROWNWOOD
FDH_HUB_H2011

PROJECT NUMBER	5307243	C.O. AREA	LAKE BROWNWOOD
EXCH. CODE	70440	CITY	BROWN
DRAWN DATE	ENGR	CYENT	FILE
08/24/2022	PHONE N/A	TAX DISTRICT	T0363
SCALE 1"=100'	TAX DISTRICT	DWG	17 OF 22
TWNSHIP	RNG	SEC	

- ⑦ 2421.201
FIBER TERM
6 PORT 1000FT(890FT)
GSFTP FT-1038003
GSFTP H2011,7-12
- ③ 2421.201
FIBER TERM
6 PORT 500FT(280FT)
GSFTP FT-1038006
GSFTP H2011,25-30
- ④ 308' 2421.201
FD 48
GSFTP H2011,1-12+
XD,13-48
- ④ 314' 2421.201
FD 98
GSFTP H2011,1-36+
XD,37-98
- ④ 1958' 2423.201
FD 98
GSFTP H2011,1-36+
XD,37-98

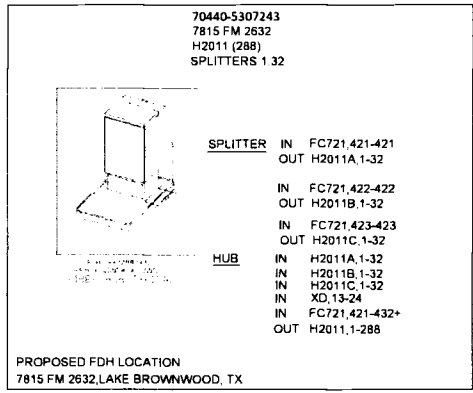


HUB ID	HUB H2011
MATERIAL CODE	F3H-1G288BUE
MANUFACTURER	COMMSCOPE
TYPE	FDH CABINET 24/288TYP PAD GEN 3
IN	H2011A,1-32
IN	H2011B,1-32
IN	H2011C,1-32
IN	XD,13-24
IN	FC721,421-432+
OUT	H2011,1-288

SPLITTER ID	H2011A
MATERIAL CODE	FPS-G2LPP1AJJ
MANUFACTURER	COMMSCOPE
TYPE	1.32 SPLITTER GEN 3
IN	FC721,421-421
OUT	H2011A,1-32

SPLITTER ID	H2011B
MATERIAL CODE	FPS-G2LPP1AJJ
MANUFACTURER	COMMSCOPE
TYPE	1.32 SPLITTER GEN 3
IN	FC721,422-422
OUT	H2011B,1-32

SPLITTER ID	H2011C
MATERIAL CODE	FPS-G2LPP1AJJ
MANUFACTURER	COMMSCOPE
TYPE	1.32 SPLITTER GEN 3
IN	FC721,423-423
OUT	H2011C,1-32



UNITS ENGINEERED	
FDH2011	LU'S(ACTUAL) 183
	LU'S(FUTURE)
	MU'S(ACTUAL)
	MU'S(FUTURE)
	BU'S(ACTUAL)
	BU'S(FUTURE)

FIBER INFO FOR THE LONGEST FIBER SERVED BY THIS FDH			
CABLE #	FEEDER	DISTRIBUTION	TOTAL OF FEEDER & DISTRIBUTION
421	FC71	H2011	
SPICES	2	7	9
LENGTH	1.588KFT	12.713KFT	14.301KFT

REVISIONS	

Frontier COMMUNICATIONS
LAKE BROWNWOOD
FDH_HUB_H2011

PROJECT NUMBER	5307243	C.O. AREA	LAKE BROWNWOOD
DRAWN DATE	06/24/2022	EXCH. CODE	70440
SCALE	1=100	ENGR	
TWNSHP	RNG	CYIENT	
		CRTY	BROWN
		PHONE	N/A
		TAX DISTRICT	T0363
		FILE	
		DWG	22 OF 22
		SEC	

APPROVAL:

Frontier Communications

[Signature]

The Commissioner's Court of Brown County offers no objections to the location on the right-of-way and/or crossing of your proposed buried line as shown by accompanying drawings and notice dated 09-07-2022, except as noted below:

It is further intended that the Commissioner's Court may require the owner to relocate This line, subject to provisions of governing laws, by giving thirty (30) days written notice.

The installation shall not damage any part of the county road and adequate provisions must be made to cause a minimum inconvenience to traffic and adjacent property owners.

Please notify Larry Traweek, Commissioner of Precinct # 4,

Twenty-four (24) hours prior to starting construction of the line, in order that we may have a representative present.

BROWN COUNTY COMMISSIONERS COURT
OF BROWNWOOD, TEXAS

BY: *[Signature]*
Joel Kelton - Judge Pro-Tem

Exceptions and/or special requirements:

SUBJECT TO BROWN COUNTY SPECIFICATIONS

CR 464-